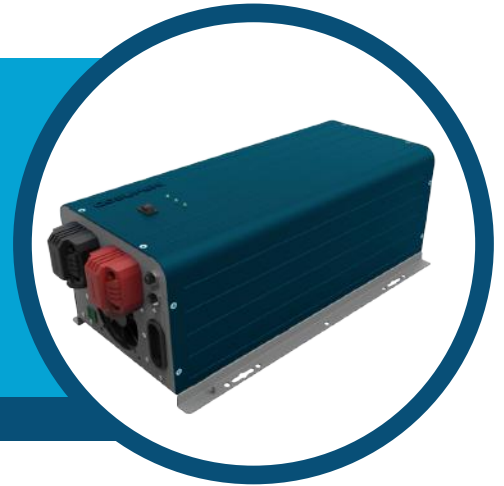
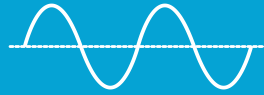


# Pro-Line Inverter Charger

## Reliable Mobile Power Solution



GMC pro-line inverter charger, as the latest model it is designed and produced for the growing demands of mobile power system. GMC inverter charger can work perfectly for recreational vehicle, special purpose vehicle and marine. Besides high efficiency, high anti-surge, multi-stage charging, auto switch between AC and DC system, GMC combines CAN-BUS communication port and main battery charger. It is able to satisfy various requirement of monitoring and interactive control.

By CR70 remote control panel to get into "engineering mode". Inverter parameters can be customized freely for specific application.

GMC is good at working in high temperature up to 50°C. No power loss and continuously working without fault.

### Features

- >> CAN-BUS+RS485 communication
- >> Low THD ensure sensitive loads working stably
- >> MAX. 90A charge current for AGM/GEL/Flooded/Lithium batteries
- >> Extra charger for starter battery
- >> High working temperature tolerance for -10~50°C at 100% continuous output
- >> Battery temperature compensation for energizing battery in cold environment ; Control battery in safe charge regulation in high temperature
- >> Ultra-low idle consumption to save energy
- >> Low-frequency technology for inductive loads
- >> Auto charge with qualified AC input without turning on
- >> Auto GEN start/stop

### Protection

- >> AC input/output over current
- >> AC input over/low voltage
- >> Battery over/low voltage
- >> Output overload
- >> Output short circuit
- >> Over temperature

### Application



Motorhome



Caravan/Trailer



Ambulance



Special Purpose vehicle

### Power Range

2000W

3000W

4000W

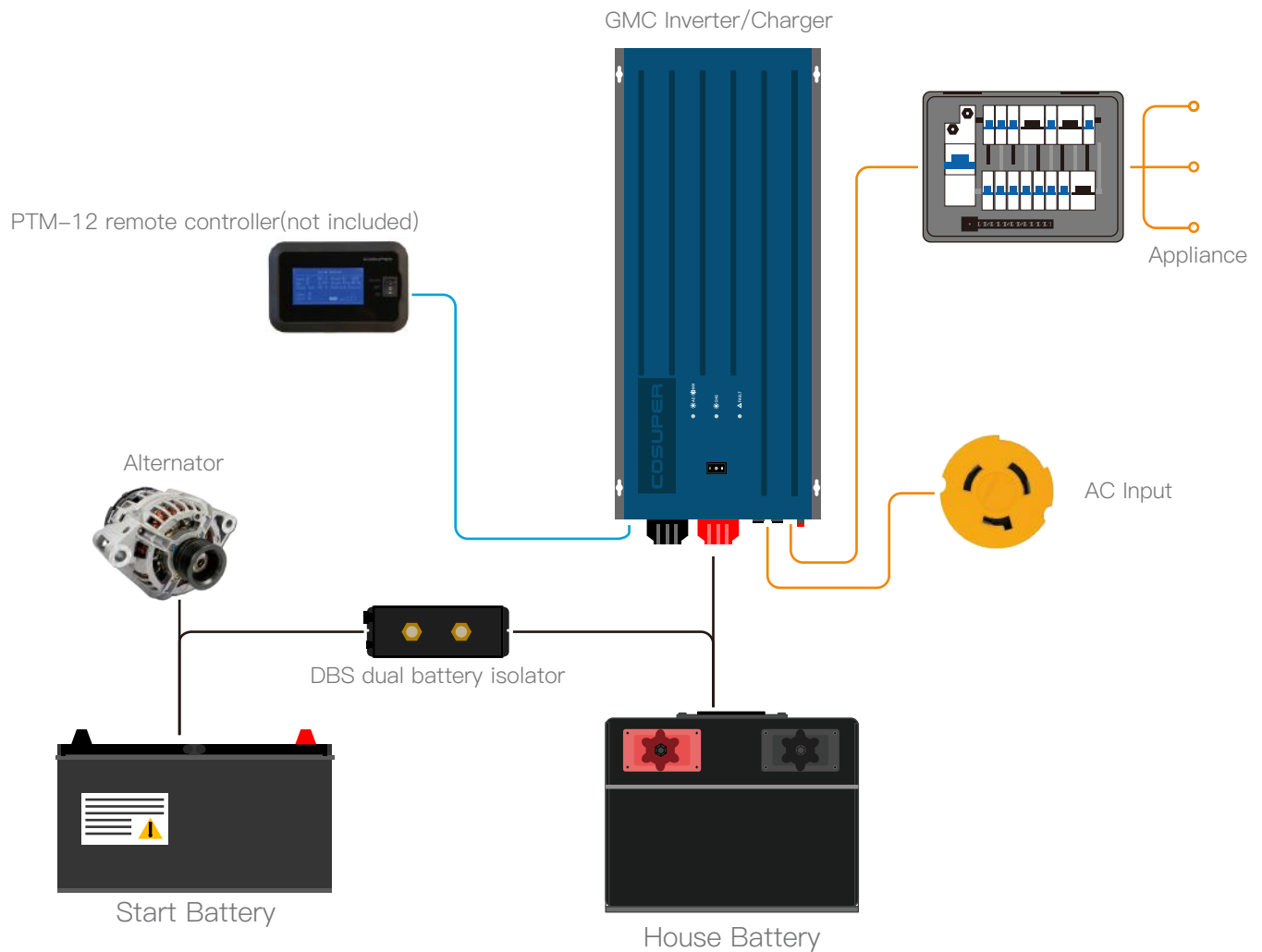
5000W

6000W

COSPUER (SUZHOU) ENERGY TECHNOLOGY CO.,LTD

#18 building  
NO.99, Gangtian Road  
Suzhou, Jiangsu Province, China  
Tel: 0086 512 68638910  
Fax: 0086 512 68638916

[www.cosuper.com](http://www.cosuper.com)



## Working Mode

### >> Parking Mode, with AC input, inverter OFF

When vehicle is parked, with shore or Gen connected, inverter is OFF.

Inverter works as the battery charger will start work automatically, charge both start battery @3~5A<sub>dc</sub> and house battery @Max. 90A<sub>dc</sub>.

No AC bypass output from Inverter.

### >> Parking Mode, with AC input, inverter ON

When vehicle is parked, with shore or Gen connected, inverter is ON.

Inverter bypass to AC loads by Shore/Gen, no more discharge battery. At the same time give charge to both start battery @3~5A<sub>dc</sub> and house battery @Max. 90A<sub>dc</sub>.

### >> Cruise Mode, no AC input, inverter ON

Vehicle is on going, no AC input, inverter is ON.

Inverter convert DC power from battery to be AC power, to provide stable AC power to appliance in vehicle. Can work at -10~50°C environment continuously without power loss.

	GMC2000	GMC3000
Rated Power (-10~50°C)	2000 W	3000 W

## DC Input

Rated Voltage	12VDC (10.5~15.5VDC)	12VDC (10.5~15.5VDC)
Max. Charge Current	75A-house battery ; 3A-start battery	90A-house battery; 3A-start battery
Battery Type	AGM/Gel/Flooded/Lithium	AGM/Gel/Flooded/Lithium

## AC Input

Voltage Range	170~275VAC / 93.5~126.5VAC	170~275VAC / 93.5~126.5VAC
Input Frequency	45~65Hz	45~65Hz

## AC Output

Output Voltage	230VAC±5% / 120VAC±3%	230VAC±5% / 120VAC±3%
Output Frequency	60/50Hz±1%	60/50Hz±1%
Waveform	Pure sine wave	Pure sine wave
Switch Time	<6ms	<6ms
Efficiency	>90%	>90%
Overload	105~120% 10s/ >120% 3s/ >150% 1s	
Max. Bypass	2400W	3600W
Protection	DC over/low volt, AC input low/over volt, AC short circuit, overtemp, overload	
Self-consumption	12~15W	12~15W
Idle-consumption	10W	10W

## Protection

DC low-volt alarm/shutdown	11.0V/ 10.5V (Customizable at Engineering mode)
AC low-volt switch to DC	187.0V (Customizable at Engineering mode)
Bypass to Inverting	198.0V (Customizable at Engineering mode)
Battery over-charge shutdown	15.7V

## General

Working Temperature	-10~50°C	-10~50°C
Storage Temperature	-20~55°C	-20~55°C
Work/Storage Humidity	0~90% No condensation	0~90% No condensation
Dimension (W*D*H)	500*258*190 mm	500*258*190 mm

	GMC4000	GMC5000	GMC6000
Rated Power (-10~50°C)	4000 W	5000 W	6000 W
<b>DC Input</b>			
Rated Voltage	48VDC (40.0~64.0VDC)	48VDC (40.0~64.0VDC)	48VDC (40.0~64.0VDC)
Max. Charge Current	35A-house battery; 3A-start battery	43A-house battery; 3A-start battery	52A-house battery; 3A-start battery
Battery Type	AGM/Gel/Flooded/Lithium		
<b>AC Input</b>			
Voltage Range	170-275VAC / 93.5-126.5VAC		
Input Frequency	45-65Hz	45-65Hz	45-65Hz
<b>AC Output</b>			
Output Voltage	230VAC±5% / 120VAC±3%		
Output Frequency	60/50Hz±0.3	60/50Hz±0.3	60/50Hz±0.3
Waveform	Pure sine wave		
Switch Time	<8ms	<8ms	<8ms
Efficiency	>88%		
Overload	105~120% 10s/ >120% 3s/ >150% 1s		
Max. Bypass	4800W	6000W	7200W
Protection	DC over/low volt, AC input low/over volt, AC short circuit, overtemp, overload		
Self-consumption	25.0W	25.0W	25.0W
Idle-consumption	23.5W	23.5W	25.0W
<b>Protection</b>			
DC low-volt alarm/shutdown	42.0V (Customizable at Engineering mode)		
AC low-volt switch to DC	187.0V (Customizable at Engineering mode)		
Bypass to Inverting	198.0V (Customizable at Engineering mode)		
Battery over-charge shutdown	62.8V	62.8V	62.8V
<b>General</b>			
Working Temperature	-10~50°C	-10~50°C	-10~50°C
Storage Temperature	-20~55°C	-20~55°C	-20~55°C
Work/Storage Humidity	0-90% No condensation		
Dimension (W*D*H)	607*308*198 mm		