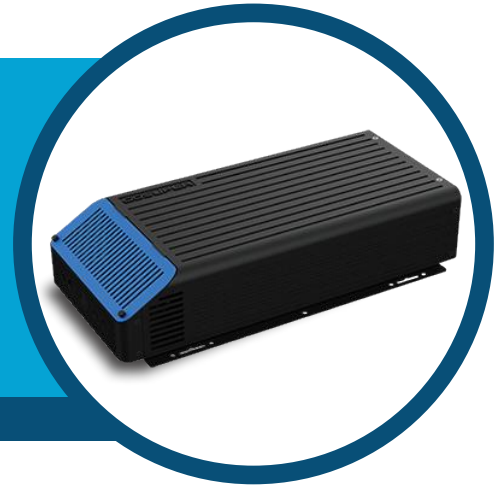


Slim-Line Inverter Charger

Reliable Mobile Power Solution



CMT pro-line inverter charger, as the latest model it is designed and produced for the growing demands of mobile power system. CMT inverter charger can work perfectly for recreational vehicle, special purpose vehicle and marine.

Besides high efficiency, high anti-surge, multi-stage charging, auto switch between AC and DC system, CMT combines CAN-BUS communication port and main battery charger. It is able to satisfy various requirement of monitoring and interactive control.

By CR70 remote control panel to get into "engineering mode". Inverter parameters can be customized freely for specific application.

Application



Motorhome



Caravan/Trailer



Ambulance



Special Purpose
vehicle

Power Range

1000W

1500W

2000W

Features

- >> CAN-BUS+RS485 communication
- >> Low THD ensure sensitive loads working stably
- >> MAX. 90A charge current for AGM/GEL/Flooded/Lithium batteries
- >> Extra charger for starter battery
- >> High working temperature tolerance for -10~50°C at 100% continuous output
- >> Battery temperature compensation for energizing battery in cold environment ; Control battery in safe charge regulation in high temperature
- >> Ultra-low idle consumption to save energy
- >> Low-frequency technology for inductive loads
- >> Auto charge with qualified AC input without turning on
- >> Auto GEN start/stop

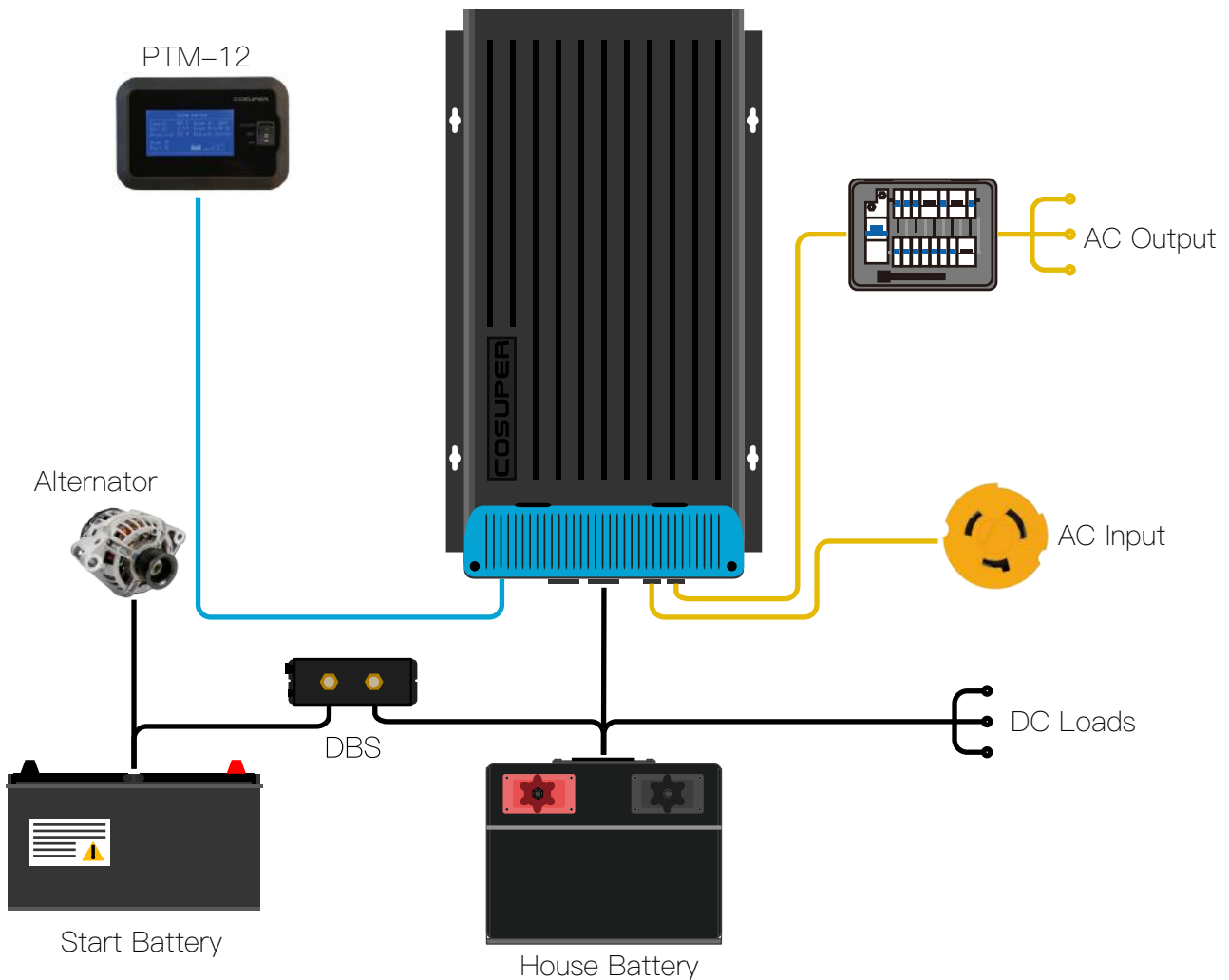
Protection

- >> AC input/output over current
- >> AC input over/low voltage
- >> Battery over/low voltage
- >> Output overload
- >> Output short circuit
- >> Over temperature

COSPUER (SUZHOU) ENERGY TECHNOLOGY CO.,LTD

#18 building
NO.99, Gangtian Road
Suzhou, Jiangsu Province, China
Tel: 0086 512 68638910
Fax: 0086 512 68638916

www.cosuper.com



Working Mode

>> Parking Mode, with AC input, inverter OFF

When vehicle is parked, with shore or Gen connected, inverter is OFF.

Inverter works as the battery charger will start work automatically, charge both start battery @3~5A_{dc} and house battery @Max. 90A_{dc}.

No AC bypass output from Inverter.

>> Parking Mode, with AC input, inverter ON

When vehicle is parked, with shore or Gen connected, inverter is ON.

Inverter bypass to AC loads by Shore/Gen, no more discharge battery. At the same time give charge to both start battery @3~5A_{dc} and house battery @Max. 90A_{dc}.

>> Cruise Mode, no AC input, inverter ON

Vehicle is on going, no AC input, inverter is ON.

Inverter convert DC power from battery to be AC power, to provide stable AC power to appliance in vehicle. Can work at -10~50°C environment continuously without power loss.

CMT Series

INVERTER/CHARGER

COSUPER
Cool life Super power

	CMT1000	CMT1500	CMT2000
Rated Power (-10~45°C)	1000 W	1500 W	2000 W
DC Input			
Rated Voltage	12VDC (10.0~16.0VDC) x2 for 24VDC		
Max. Charge Current	45A-house battery; 3A-start battery	70A-house battery; 3A-start battery	90A-house battery; 3A-start battery
Battery Type	AGM/Gel/Flooded/Lithium		
AC Input			
Voltage Range	170-275VAC	170-275VAC	170-275VAC
Input Frequency	45-65Hz	45-65Hz	45-65Hz
AC Output			
Output Voltage	110/120VAC±5%; 230/240VAC±5%		
Output Frequency	60/50Hz±0.3	60/50Hz±0.3	60/50Hz±0.3
Waveform	Pure sine wave	Pure sine wave	Pure sine wave
Switch Time	<8ms	<8ms	<8ms
Efficiency	>88%	>88%	>88%
Overload	105~120% 10s/ >120% 3s/ >150% 1s		
Max. Bypass	6000W	7200W	8000W
Protection	DC over/low volt, AC input low/over volt, AC short circuit, overtemp, overload		
Self-consumption	20.0W	25.0W	35.0W
Idle-consumption	19.0W	23.0W	32.0W
Protection			
DC low-volt alarm/shutdown	10.5V (Customizable at Engineering mode)		
AC low-volt switch to DC	187.0V (Customizable at Engineering mode)		
Bypass to Inverting	198.0V (Customizable at Engineering mode)		
Battery over-charge shutdown	16.5V	16.5V	16.5V
General			
Working Temperature	-10~45°C	-10~45°C	-10~45°C
Storage Temperature	-20~70°C	-20~70°C	-20~70°C
Work/Storage Humidity	0-90% No condensation		
Dimension (W*D*H)	450*255*104 mm	450*255*104 mm	450*255*104 mm